

Room Scheduling System

RoomWizard™

Schedule
Share
Optimize



Captures Room Occupancy



Lights Indicate a Room's Availability



Reserve a Space from
any Network Device or Directly
on the Display

RoomWizard™ is the first web-based system of signs for scheduling rooms and other shared spaces.

“Where are We Meeting?”

This is the most commonly asked question once you've established the need for a meeting – and often the most frustrating to answer.

RoomWizard eliminates the hassle of finding open space by offering everything you need to start managing your shared meeting spaces.

Use your Space Wisely

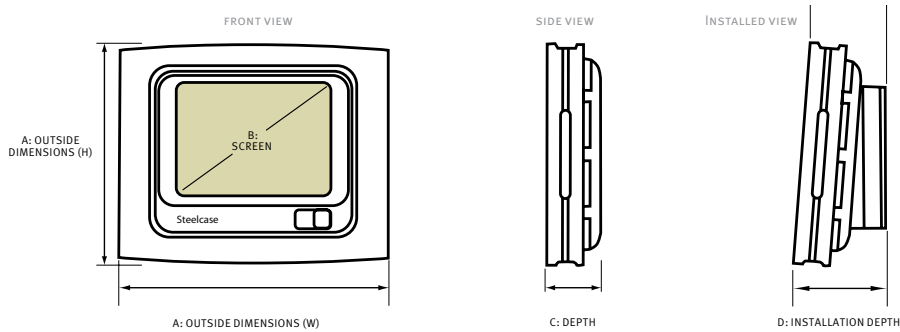
Each RoomWizard sign displays its room's schedule: times, topics, meeting hosts, and more. Now you can see when the next meeting will start so you can wrap yours up effectively, instantly

eliminating scheduling conflicts. Bright red and green lights signal a room's availability from a distance – perfect for finding an impromptu meeting space or to avoid interrupting someone else's meeting. Use the touch screen to claim an unoccupied space or to extend or delete your reservation on the spot.

Filled to Capacity

RoomWizard's reporting function captures room occupancy and reservation patterns; providing insight into the needs and actual use of shared spaces.

RoomWizard Room Scheduling System:
Focus on your meeting, not its location.



| RoomWizard™ Room Scheduling System | |
|-------------------------------------|--|
| Dimension A (HxW) | 7.4 in. x 9.14 in. (188.2mm x 232.1mm) |
| Dimension B (Diagonal, Screen Size) | 6.4 in. (162.6mm) |
| Dimension C (Depth) | 2.0 in. (50.8mm) |
| Dimension D (Installation Depth) | 3.31in. (84.1mm) |

Liquid Crystal Display (LCD)

- Full-Colour: Double backlit TFT with touchscreen
- Resolution: 640x480 pixels (VGA)
- Brightness: 250 milli candelas
- Viewing Angle: 90°
- Enclosure colours: Midnight black with satin aluminum covers
- Weight (packaged): 2.27 kg
- Lifetime: 50,000 hours in use at optimal brightness

Printed Circuit Board (PCB)

- 200 MHz processor Goede GX1
- 64 MB RAM
- 20 Gigabyte Hard Drive

Ports/Connections

- 10 Base-T/100 Base-T Ethernet via RJ45
- IrDA 1.1 compatible infrared port

Features

- Built-in Web Server, accessible from LAN
- Units may be grouped for single web page access
- Unlimited range for scheduling
- Supports one-click publishing when used with CopyCam® or Impulse™ LTX whiteboard products
- Indicator lights on side change colour to indicate room availability
- Report generation software available for free download

Power Source

- 120/240 Volts (AC) transformed to 5 Volts (DC)
- 40 Watts

Environmental

Operating temperature 50° to 104° F (10° to 40° C)

Certification

- FCC Class A, CSA, NRTL, UL, CE, TUV
- EN50082-1, EN 6100-4-2,3,4 Level 3,2,2, IEC801-2,3,4 Level 3,2,2

Warranty

- Two year limited warranty
- Extended warranty available

Accessories (Included)

- 18 gauge milled steel mounting bracket
- Drywall mounting hardware
- Anti-dislodgement feature built into the mounting bracket can be locked
- Power supply:
 - 6 foot (1.8m) power input cord
 - 6.6 foot (2.01m) low-voltage power output cord

Options

- On-wall wire management kit (DTPWA01)
- Glass mount kit (DTPWA03)
- Lotus Domino Synchronization Driver (DTPRWS01)
- Microsoft Exchange Synchronization Driver (DTPRW502)
- Support for many third-party room scheduling software systems

Authorised PolyVision Reseller

PolyVision Corporation
 +44 (0)7780 651428
 uksales@polyvision.com
 www.polyvision.com/uk

POLYVISION®
 A Steelcase Company